

## DS-2DE3A204IW-DE/W (2.8-12 mm) 2 MP 4× IR Wi-Fi Network PTZ Camera



Hikvision DS-2DE3A204IW-DE/W (2.8-12 mm) 2MP 4× IR Wi-Fi Network PTZ Camera can be widely used in multiple indoor and outdoor scenes, such as the corridor, office, convenience store, and restaurant, etc.

- Up to 1920 × 1080 resolution
- Excellent low-light performance with powered-by-DarkFighter technology
- Up to 50 m IR distance
- Up to 30 m white light distance
- Support audio visual alarm
- H.265+/H.265 video compression
- Built-in speaker and microphone for audible warning and two-way audio
- Wi-Fi
- White light flashing when alarm triggers
- Remote control on mobile phone via Hik-Connect
- Extendable on-board storage (microSD), up to 256 GB
- IP66
- Easy installation



## Specifications

| Camera Module         |  |
|-----------------------|--|
| Image Sensor          | 1/2.8" progressive scan CMOS   |
| Min. Illumination     | Color: 0.005 Lux @(F1.5, AGC ON); B/W: 0.001 Lux @(F1.5, AGC ON); 0 Lux with IR  |
| White Balance         | Auto/Manual/ATW (Auto-tracking White Balance)/Indoor/Outdoor/Fluorescent Lamp/Sodium Lamp  |
| Gain                  | Auto/Manual  |
| Shutter Time          | 1 to 1/30,000 s  |
| Day & Night           | IR Cut Filter  |
| Digital Zoom          | 16 ×   |
| Privacy Mask          | 24 programmable privacy masks, mask color configurable   |
| Focus Mode            | Auto/Semi-automatic/Manual   |
| WDR                   | 120 dB WDR   |
| Lens                  |  |
| Focal Length          | 2.8 to 12 mm, 4 × optical zoom   |
| Zoom Speed            | Approx. 2 s (optical lens, wide-tele)  |
| Field of View         | Horizontal field of view: 100.5° to 32.6° (wide-tele)<br>Vertical field of view: 52.8° to 18.3° (wide-tele)<br>Diagonal field of view: 120.2° to 37.5° (wide-tele) |
| Working Distance      | 100 to 1500 mm (wide-tele)   |
| Aperture Range        | F1.5 to F2.7   |
| Illuminator           |  |
| IR Distance           | Up to 50 m   |
| Smart IR              | Yes  |
| White Light Distance  | Up to 30 m   |
| PTZ                   |  |
| Movement Range (Pan)  | 0° to 350°   |
| Pan Speed             | Configurable, from 0.1°/s to 60°/s. Preset speed: 65°/s  |
| Movement Range (Tilt) | 0° to 90°  |
| Tilt Speed            | Configurable, from 0.1°/s to 50°/s. Preset speed: 60°/s  |
| Proportional Zoom     | Yes  |
| Presets               | 300  |
| Patrol Scan           | No   |
| Pattern               | No   |
| Power-off Memory      | Yes  |
| Park Action           | Preset   |
| 3D Positioning        | Yes  |
| PTZ Position Display  | ON/OFF   |
| Preset Freezing       | Yes  |
| Scheduled Task        | Preset/Dome Reboot/Dome Adjust/Aux output  |

| Compression Standard   |  |
|------------------------|--|
| Video Compression      | Main Stream: H.265+/H.265/H.264+/H.264<br>Sub-stream: H.265/H.264/MJPEG<br>Third Stream: H.265/H.264/MJPEG   |
| H.264 Type             | Baseline profile/main profile/high profile   |
| H.264+                 | Yes  |
| H.265 Type             | Main profile   |
| H.265+                 | Yes  |
| Video Bitrate          | 32 Kbps to 16384 Kbps  |
| Audio Compression      | G.711alaw/G.711ulaw/G.722.1/G.726/MP2L2/PCM  |
| Audio Bitrate          | 64 Kbps (G.711)/16 Kbps (G.722.1)/16 Kbps (G.726)/32 Kbps to 192 Kbps(MP2L2)   |
| SVC                    | Yes  |
| Smart Features         |  |
| Basic Event            | Motion detection, video tampering detection, alarm input, alarm output, exception (HDD full, HDD error, illegal login, network disconnected, IP address conflict)                                    |
| Smart Event            | Face detection, intrusion detection, line crossing detection, region entrance detection, region exiting detection, object removal detection, unattended baggage detection, audio exception detection |
| Smart Record           | ANR (Automatic Network Replenishment), dual-VCA  |
| Region of Interest     | Main stream, sub-stream, and third stream respectively support 4 fixed areas, and dynamic face tracking.   |
| Image                  |  |
| Max. Resolution        | 1920 × 1080  |
| Main Stream            | 50Hz: 25fps (1920 × 1080, 1280 × 960, 1280 × 720)<br>60Hz: 30fps (1920 × 1080, 1280 × 960, 1280 × 720)   |
| Sub-Stream             | 50Hz: 25fps (704 × 576, 640 × 480, 352 × 288)<br>60Hz: 30fps (704 × 480, 640 × 480, 352 × 240)   |
| Third Stream           | 50Hz: 25fps (1920 × 1080, 1280 × 960, 1280 × 720, 704 × 576, 640 × 480, 352 × 288)<br>60Hz: 30fps (1920 × 1080, 1280 × 960, 1280 × 720, 704 × 480, 640 × 480, 352 × 240)                             |
| Image Enhancement      | BLC, HLC, defog, 3D DNR, regional exposure, regional focus   |
| Network                |  |
| Network Storage        | Built-in memory card slot, support microSD/SDHC/SDXC, up to 256 GB; NAS (NFS, SMB/ CIFS), ANR  |
| Protocols              | IPv4/IPv6, HTTP, HTTPS, Qos, FTP, SMTP, UPnP, SNMP, DNS, DDNS, NTP, RTSP, RTCP, RTP, TCP/IP, DHCP, PPPoE, Bonjour  |
| API                    | Open-ended, support ONVIF, and ISAPI, support HIKVISION SDK and Third-Party Management Platform, support Hik-Connect   |
| Simultaneous Live View | Up to 20 channels  |
| User/Host              | Up to 32 users. 3 user levels, administrator, operator and user  |
| Security Measures      | User authentication (ID and PW), Host authentication (MAC address); HTTPS encryption; IEEE 802.1x port-based network access control; IP address filtering  |
| Client                 | iVMS-4200, iVMS-4500, iVMS-5200, Hik-Connect   |

|                     |   |
|---------------------|---|
| Web Browser         | IE 8-11, Chrome 31+, Firefox 30+, Microsoft Edge 41.16299.726.0   |
| <b>Wi-Fi</b>        |   |
| Wireless Standards  | IEEE 802.11 b/g/n   |
| Frequency Range     | 2.4 to 2.483GHz   |
| Channel Bandwidth   | 20/40MHz  |
| Protocols           | DSSS/OFDM   |
| Security            | 64/128-bit WEP, WPA/WPA2, WPS   |
| Transfer Rates      | 11b:11Mbps; 11g:54Mbps; 11n:150Mbps   |
| Wireless Range      | 50 m  |
| <b>Interface</b>    |   |
| Audio               | 1-ch audio input (line in/mic in), 2.0 to 2.4Vp-p, 1k Ohm $\pm$ 10%, 1 built-in microphone<br>1-ch audio output (line out and built-in speaker), line level, impedance: 600 $\Omega$ , 1 built-in speaker |
| Built-in Speaker    | 8 $\Omega$ , 2 W. Max sound pressure level: 100 dB (10 cm)  |
| Alarm               | 1-ch alarm input/1-ch alarm output  |
| Network Interface   | 1 RJ45 10 M/100 M Ethernet interface  |
| <b>General</b>      |   |
| Power               | 12 VDC, 3.33 A & PoE (802.3at), 42.5 to 57 VDC, 0.6 A<br>Max. 19 W (including max. 2.4 W for IR, 1.2 W for white light flashing)  |
| Working Environment | Temperature: -30°C to 60°C (-22°F to 140°F), humidity: $\leq$ 90%, no condensing  |
| Protection Level    | IP66 standard, 6000V lightning protection, surge protection and voltage transient protection  |
| Material            | ADC12 + PC  |
| Dimension           | 179.3 mm $\times$ 120.5 mm $\times$ 182 mm (7.06" $\times$ 4.74" $\times$ 7.16")  |
| Weight              | Approx. 1.125 kg (2.48 lb.)   |

## DORI

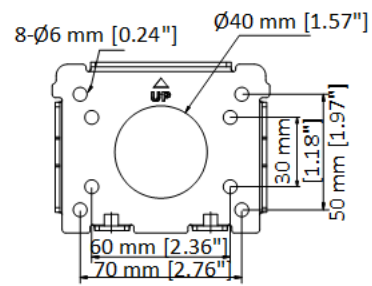
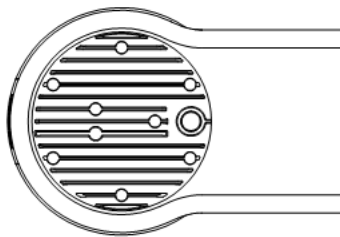
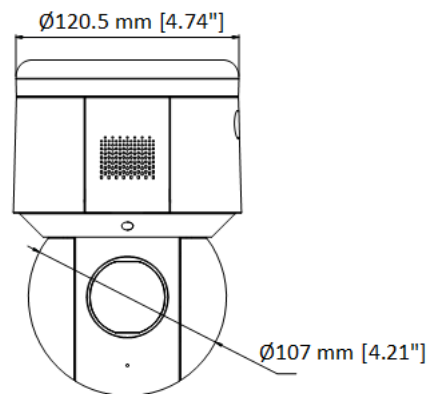
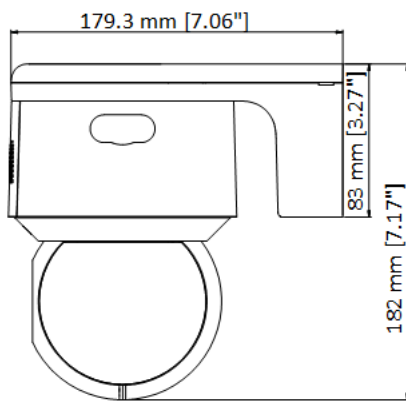
The DORI (detect, observe, recognize, identify) distance gives the general idea of the camera ability to distinguish persons or objects within its field of view. It is calculated based on the camera sensor specification and the criteria given by EN 62676-4: 2015.

| DORI            | Detect             | Observe           | Recognize      | Identify       |
|-----------------|--------------------|-------------------|----------------|----------------|
| Definition      | 25 px/m            | 63 px/m           | 125 px/m       | 250 px/m       |
| Distance (Tele) | 130.9 m (429.5 ft) | 51.9 m (170.3 ft) | 26.2 m (86 ft) | 13.1 m (43 ft) |

## Available Models

DS-2DE3A204IW-DE/W (2.8-12mm)

## Dimensions



## Accessory

### Included



Power adapter