

# UTC-W1082A

10.1 inch Industrial Panel PC



## Features

- Aluminum die-casting chassis, fanless design
- 10.1 inch LED TFT LCD, capacitive touch
- 1280x800 (1920x1200 optional) wide screen, 16:9
- Intel Core 7<sup>th</sup> Gen CPU
- 3\*COM, 2\*LAN, 4\*USB3.0
- AT & ATX Model
- Front Panel IP65 Level
- DC 9~36V power input optional

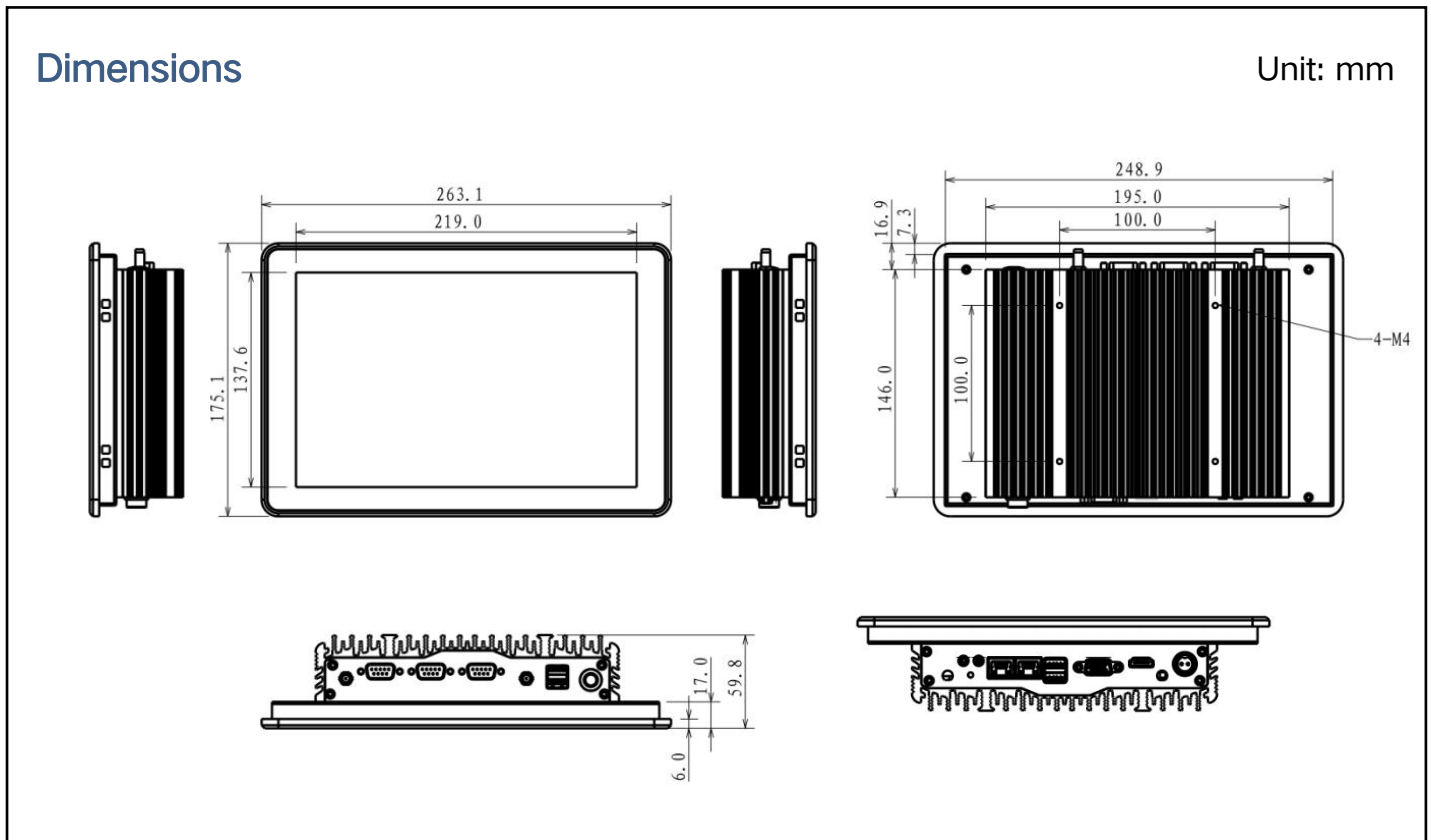


UTC-W1082A is an intelligent, fanless panel PC, 10.1" Panel PC equipped with an Intel® 7th Gen Core processor. Meeting the demands of harsh environments, in addition, the dual GbE LAN, 3 x serial ports, 4 x USB ports, make device connection and integration easy.

## Specifications

Processor	CPU	Intel® i3-7100U Dual Core, 2.4 GHz 4M Cache, TDP 15W Intel® i5-7200U Dual Core, 2.50-3.10 GHz 4M Cache, TDP 15W Intel® i7-7500U Dual Core, 2.70-3.50 GHz 4M Cache
	Cooling System	Fanless
	Memory	1x DDR4 2133Mhz SO-DIMM Sockets, up to 16GB
	Storage	mSATA SSD Full Size+SATS 2.5"SSD
	I/O ports	4xUSB3.0, Type-A COM: 3xRS232, DB9, 2*RS485/RS422 optional Dual Display: 1xHDMI (1920*1200 @30Hz) 1*VGA (1920*1200 @30Hz) Audio: 1×Mic-in, 1x Line-out WIFI: 802.11 a/g/n, 2x2 Antenna, 2.4/5 GHz, 300 Mbps Max Speed
	Network(LAN)	2x 10/100/1000Mbps Ethernet
	Input Voltage	Input Voltage 12V DC(2 Pin Aviation Connector) , optional 9V-36V DC
	Control SW	Control SW 1xPower SW, AT/ATX optional
LCD Display	Display Type:	10.1 inch TFT LED Panel( LED Backlight)
	Max. Resolution:	1280x800 (1920x1200 optional) / 16:9
	Luminance(cd/m <sup>2</sup> )	300nits

<b>Touchscreen</b>	Touch Type	Projected Capacitive Touch
<b>OS Support</b>	OS Support	Microsoft Windows 7/ Windows 10/Windows 11/ Linux
<b>Environment</b>	Operating Temperature	0°C ~ 50°C(14~ 140 °F)(extend temperature optional)
	Storage Temperature	-10°C ~ 60°C(-4 ~ 158 °F)
	Front Panel Protection	IP65 compliant
<b>Mechanical</b>	Dimensions	(W*H*D): 263.1x175.1x65.8mm Cutting size: 248.9x160.9mm
	Weight	2.8KG (N.W.)
	Color	Black
	Material	Aluminum
	Certification	CE / RoHS
<b>Custom Service</b>	Custom Service	Custom BIOS, System Encryption, Custom LOGO







- Cable-less design and Board to Board design
- Highly compatible
- Modular design
- Easy operation: easy assembly and easy Maintenance
- Supports customization

Packing List	Ordering Information
1x UTC-W1082A	UTC-W1082A-1: i3-7100U Version
1x Power Adapter	UTC-W1082A-2: i5-7200U Version
<b>Optional accessories</b>	UTC-W1082A-2: i7-7500U Version
VESA Bracket	<b>Operating Systems</b>
Power Cable 2-pin 200cm	WIN7 32bit 64bit ENG/CN
	WIN10 32bit 64bit ENG/CN
	WIN11 32bit 64bit ENG/CN
	Linux Ubuntu 12.04/16.04/18.04